

Acrylic ADA Tub/Shower APTS6032TSADA



Shown with ADA accessory package

60"L x 33"D x 84"H

One piece for new construction.

Durable easy to clean premium acrylic with domed top.

Available with or without accessories.

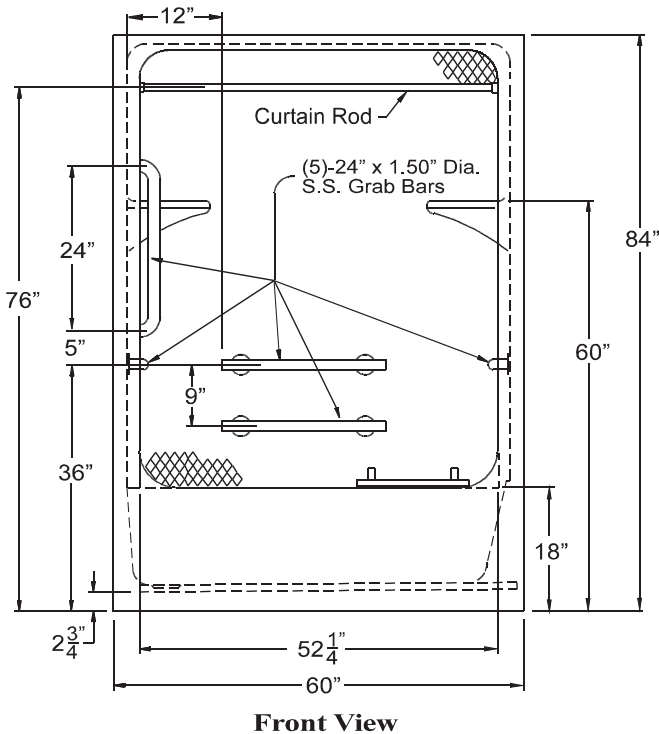
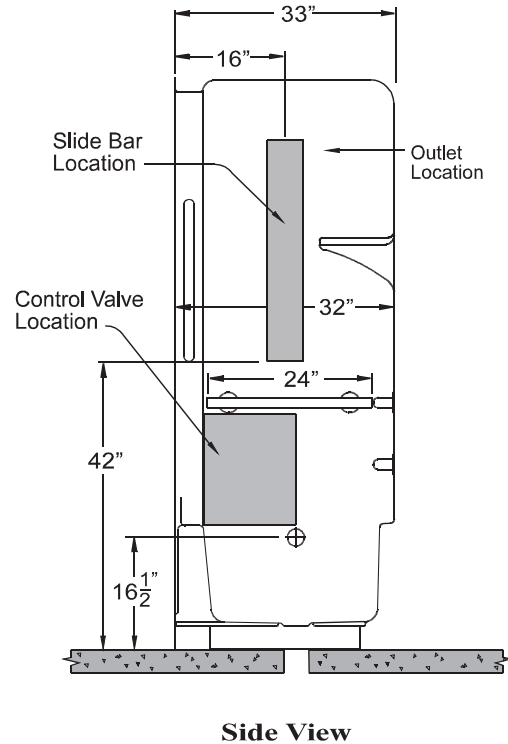
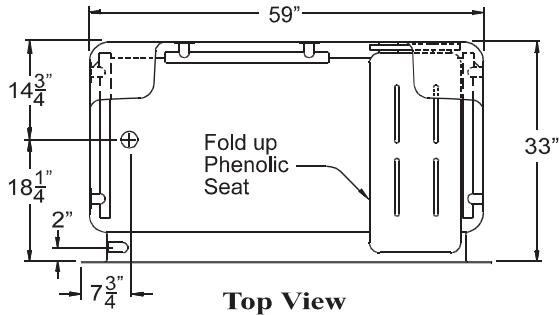
For ADA compliance, add the factory installed ADA accessory package. Package includes: seat, one horizontal and one vertical 24" grab bar mounted on the valve wall, two 24" grab bars mounted on back wall and one 24" grab bar mounted on the head wall.

To meet ADA guidelines, a pressure balancing mixing valve, hand held shower with slide bar, vacuum breaker and 60" hose must be installed as per code. These accessories can also ship with the unit.

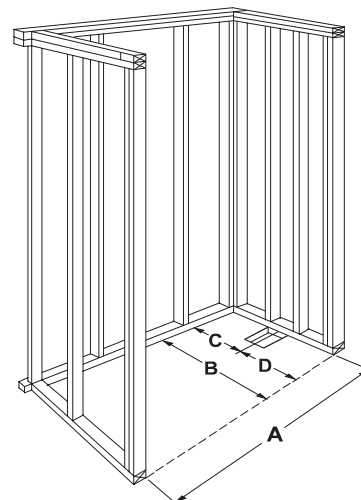
Standard ADA Codes:
ICC/ANSI A117.1, HUD/ADA, UFAS and TAS.

Standard Codes:
ANSI Z124.1, ASTM F463, ASTM E84, SBCCI, NAHB and UPC.

APTS6032TSADA



NOTE: Due to the nature of the materials, dimension may vary + - 1/2".



FRAMING DIMENSIONS

A	B	C	D
60 1/4"	33"	14 3/4"	18 1/4"

6" x 6" minimum opening in floor for drain connection